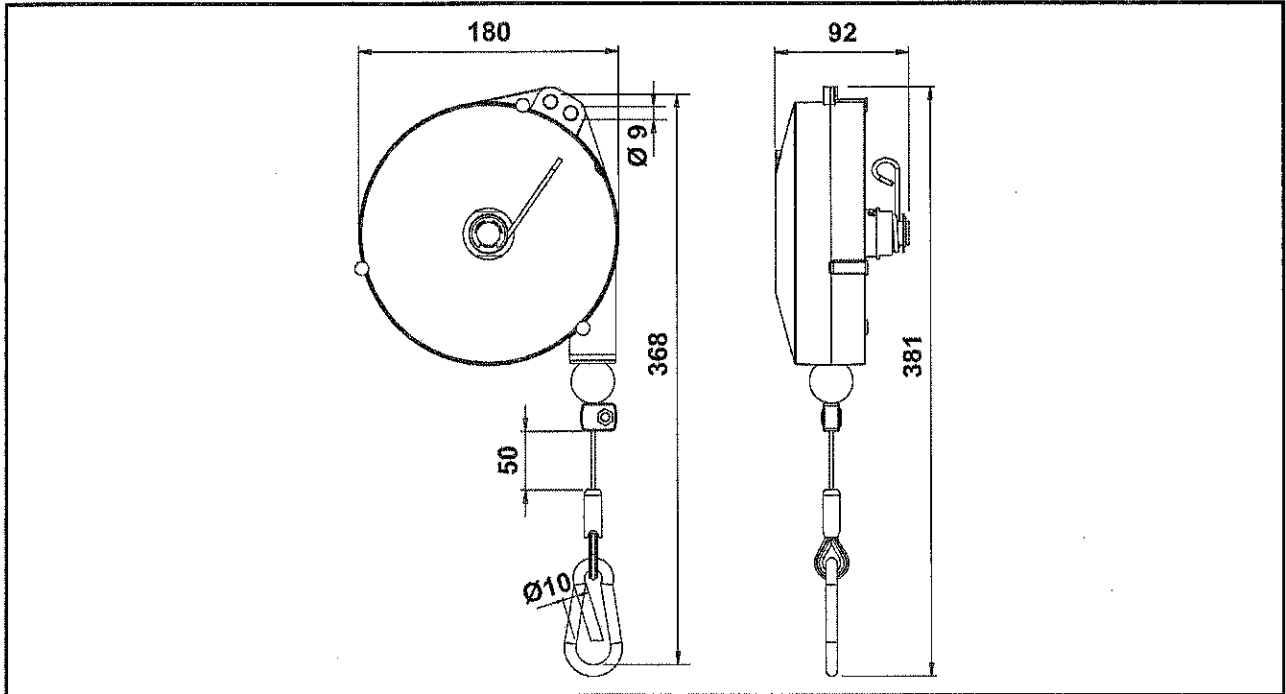





# TECNA®

Via Meucci, 27 | 40024 Castel S. Pietro Terme | Bologna (Italy)  
 Ph. +39.051.6954411 | Fax +39.051.6954490  
 www.tecna.net | sales@tecna.net | vendite@tecna.net

**ISTRUZIONI PER L'USO DEL BILANCIATORE | BALANCER INSTRUCTIONS MANUAL  
 INSTRUCTIONS POUR L'UTILISATION DE L'ÉQUILIBREUR | MANUAL DE USO DEL EQUILIBRADOR  
 BETRIEBSANLEITUNG DES FEDERZUGS | GEBRUIKSAANWIJZING VOOR DE BALANCER  
 BALANSEBLOKKENS BRUKERVEILEDNING | BRUKSANVISNING FÖR BALANSBLOCK**



ART. ITEM	 kg	 kg	 mm
9336	2 + 4	3.14	2500
9337	4 + 6	3.30	2500
9338	6 + 8	3.36	2500
9339	8 + 10	3.43	2500
9340	10 + 14	3.58	2500
9346	2 + 4	3.14	2500
9347	4 + 6	3.32	2500
9348	6 + 8	3.38	2500
9349	8 + 10	3.48	2500
9350	10 + 14	3.62	2500

<70 db (A)

T<sub>amb</sub> = +5°C... +60°C

Conservare queste istruzioni per tutta la vita del bilanciatore.  
 Save these instructions for all the balancer life.  
 Conserver ces instructions pendant toute la vie de l'équilibreur.  
 Conservar estas instrucciones durante toda la vida del equilibrador.  
 Diese Bedienungsanleitung muss für die Lebensdauer des Federzuges aufbewahrt werden.  
 Bewaar deze instructies gedurende de gehele levensduur van de balancer.  
 Oppbevar denne bruksanvisning for hele bruksperioden.  
 Spara denna bruksanvisning så länge balansblocket är i bruk.

Utilizzare solo ricambi originali TECNA S.p.A.  
 Only use TECNA S.p.A. original spare parts.  
 Utiliser uniquement des pièces détachées d'origine TECNA S.p.A.  
 Utilice sólo repuestos originales TECNA S.p.A.  
 Verwenden Sie nur Ersatzteile von TECNA S.p.A.  
 Gebruik alleen originele reserveonderdelen Tecna SpA.  
 Bruk kun originale reservedeler fra TECNA S.p.A.  
 Använd endast originalreservdelar Tecna SpA.

MAN.9101 Edizione 04

**ISTRUZIONI ORIGINALI | ORIGINAL INSTRUCTIONS | NOTICE ORIGINALE | MANUAL ORIGINAL**

**ORIGINALBETRIEBSANLEITUNGEN | VOLLE GEBRUIKSAANWIJZING | ORIGINAL INSTRUKSJONER | URSPRUNGLIGA INSTRUKTIONER**



**Install the balancer before using it. This operation is to be carried out by skilled personnel who must comply with the directions outlined in this manual:**

**A WRONG INSTALLATION COULD CAUSE INJURY/DAMAGE TO PEOPLE/PROPERTY.**



**This manual contains important information in order to use the balancer safely.**

**Be sure to have clearly understood all the instructions before using the balancer.**

**FAILURE TO DO SO COULD CAUSE INJURY.**

The balancer was built in conformity with European Community Directives that were pertinent and applicable when the balancer was put on the market and that entail the CE marking of the product.

## INTENDED USE

The intended use of a balancer is to eliminate the constant weight of a tool during a vertical movement.

The balancer is only intended to be used manually by one operator at a time.

The balancer is intended to be used indoors with temperatures between 5°C and 60°C.

For a better use of the balancer, it is recommended that the load is suspended at the centre of gravity.



**It is necessary to use, inspect and maintain the balancer in perfect working efficiency in accordance with every regulation with regard to balancers, tools and workplaces.**



Balancer capacity from minimum to maximum value expressed in kg;



Balancer rope length expressed in mm;



Balancer mass in kg.

TECNA S.p.A. will not be deemed liable for using these balancers for any other application.

## MISUSE

Do not permit children or people under age to use the balancer.

Do not work, transit or linger underneath the balancer.

Do not use in food or medical environments.

Do not use outdoors or in environments with corrosive chemicals.

Except for ATEX models, Balancers are not suitable for use in environments with potentially explosive atmospheres.

Do not use with loads beyond those shown on the data plate.

## STATIC AND DYNAMIC TESTS

Static and Dynamic sample testing (Machine Directive 2006/42/EC, Annex I, section 4.1.3) are performed for each production lot.

The static tests are performed by connecting to the balancer a load 1.25 times higher than the maximum allowed capacity then by accompanying it to the stroke end (rope all out) for 10 minutes (as reported on DIN 15112:1979).

The dynamic test is performed by checking the proper operation of the balancer (rope extraction and rewinding) for 1-hour time with the balancer charged 1.1 times the maximum allowed load.

## CHOOSING THE BALANCER

Assess the total load to be balanced: tool, accessories and sections of hoses or cables to be lifted by the balancer. The overall load to be balanced must fall within the balancer's minimum and maximum load-bearing capacity.

## STARTING UP THE BALANCER

Assess the range of the work area and, if appropriate, hang the balancer to a roller guide to be able to use it properly in an area wide enough to carry out the required activities.

Use the hole (A) for main suspension and hole (S) for safety suspension (Fig.1a/b).

ATTENTION: for capacities up to 4 kg, refer to figure 1a; for capacities over 4 kg, refer to figure 1b.

If screw-fixing devices are used to install the balancer, use self-locking nuts, split-pins or other safety systems.

In order to avoid anomalous wear, the load must be applied vertically. The balancer must in any case be free to move in its suspension so that it can line up with the direction of the load.

The balancer must be installed on a structure having an adequate mechanical resistance. Mechanical resistance of the structure > 5\*(Balancer weight + Max load).

It is possible to install more than one balancer to the same main structure only if each balancer has an independent connection point and the structure has a mechanical resistance higher than five (5) times the weight of all balancers plus all maximum loads.

It is possible to install more than one balancer to the same secondary structure (i.e. safety rope) only if each balancer has an independent connection point and the structure has a mechanical resistance higher than five (5) times the weight of all balancers plus all maximum loads.

When starting up a balancer, we suggest that the following procedure is used:

- Connect the balancer to the main structure through the suspension hook, if present, or fixing hole.
- Connect the safety device to the secondary structure.
- Lift the load to be hanged to the balancer.
- Hang the load to the balancer through the proper hook/snap hook.
- Lower the load by unwinding the balancer's rope and adjust the stroke limiter clamp to avoid bringing the load above the operator.
- Adjust the balancer strength as long as the hanged load is balanced. Rotate in the direction of the + sign to increase the strength of the balancer. Rotate in the direction of the - sign to decrease the strength of the balancer.

In case of installation of the balancer at a considerable height, use the dedicated extension ropes to bring the load at the needed working height (the load must not be above the operator).

Ensure that the working area is adequately lightened to allow a good overview of the operations and of all the equipment, avoiding dark areas, dazzling and strobe effects.

Warning!!! For all balancers that do not have a suspension hook, make sure that it is fixed to the main structure in such a way as not to block the movements (oscillations and rotations) which are functional to the correct operation of the balancer itself.



**Always connect the safety suspension (S), with exclusive use of the supplied standard fittings (Fig.1a/b), to a suitably sized support.**

**The safety support MUST NOT BE the same one used for the main suspension (A) (Fig.1a/b). If the main suspension breaks, the max falling distance must not be more than 100 mm. Tighten the nuts of the clamps 21215 (Fig.1) with a torque of 2 Nm.**

## BALANCER ADJUSTMENT

To allow the balancer to balance heavier loads within the load capacity accepted, use spanner (D) to turn knob (6) anticlockwise, identified by the "+" symbol (Fig.2). For lighter loads, press on the end of the spring (9) and turn it clockwise, identified by the "-" symbol (Fig.3).

ATTENTION: TO REDUCE THE LOAD DO NOT USE THE SPANNER ON THE KNOB (6)! (forcing the knob in the load reduction direction using the spanner can cause the retaining unit to break).

After adjusting the load, check that the rope can move freely along all its length: the movement must not be limited by the complete winding of the spring. Check the stroke more than once and according to different speeds.

### **FOR 9346-9350 MODELS ONLY**

The 9346-9350 balancers are fitted with a mechanism that allows to block cable rewinding: this allows to work without cable traction. e.g. inside a car (Fig.5).

Blocking is obtained with slow re-ascent of the tool.

To release drum rotation, pull the tool slightly downwards and make it re-ascent at high speed.

To prevent undesired blocking, the ascent must take place at suitable speed.

The locking kinematism may be neutralized by tightening the screw (25) all the way while the load goes up and down (Fig. 5).

NOTE: a reduction of the ability of the balancer to hold the hanging load might mean that the drum spring is about to break. DO NOT MODIFY THE BALANCER ADJUSTMENT TO SUSTAIN THE LOAD ANYHOW, INSTEAD CALL IMMEDIATELY THE SPECIALIZED PERSONNEL AUTHORIZED TO MAINTENANCE.

Do not use by hanging a maximum load greater than the maximum load allowed and by balancing the same through the regulator.

## USING THE BALANCER

Grip the tool hanging from the balancer and carry out the required operations. Then accompany the tool as far as it balances, on the vertical line of the balancer, and release it.

The load to be balanced must be hung on snap-hook (24) (Fig.4). Ensure that the snap-hook is closed correctly after having hung the load.

The cable must never be fully unwound: the work travel must end at least 100 mm before it reaches the lower limit of the run:

If necessary, move and block the clamp (20) (Fig.4) to limit the upward run.



**Do not unhook the load if the clamp (20) (Fig.4) does not lean onto the rope's swaging (POSITION SHOWN IN FIGURE 4).**

- Do not leave the load if it is not in a vertical position;
- Do not swing/throw the hanging load to another operator;
- Do not move the load by pulling the balancer's rope;
- Do not hang loads that are not within the upper and lower ranges of the admissible load-bearing capacity;
- Do not hang more than one tool on the balancer.

**⚠ The highest risk linked to the use of the balancer consists in the uncontrolled rewinding of the rope.**

- 1 If, for any reason, the rope is not rewound by the balancer, DO NOT intervene and call immediately the maintenance service;
- 2 Never unhook the load if the rope is not completely wound in the drum, prevent the rope from touching the rope-guide.
- 3 Should you find the balancer with the rope completely unwound and no load attached, DO NOT intervene and call immediately the maintenance service;
- 4 During use, the rope must be straight and must not be in contact with any pulley, ring or external structure close to the place where the balancer is installed and used;
- 5 The use of the balancer is allowed only with its rope in a vertical position.
- 6 The adjustment of the balancer stroke must be done so to ensure the positioning of the tool at a height equal or lower to that of the operator, notwithstanding the place where the balancer is installed.
- 7 Do not twist (beyond 360°) the rope during use, if the load must turn during operation then provide that the dedicated tool is used.
- 8 Should the balancer be provided with a locking device, use it when the tool hung to it is not used (end of work shift).

**⚠ After the intervention of the devices that avoid the load fall or the uncontrolled rewinding of the rope, a revision of the balancer is necessary. To this end, contact your dealer.**

**When the balancer is used with an electrical tool, please refer to the user manual of the electrical tool for the management of eventual residual risks.**

**Do not use the balancer by holding it from the rope; hold only the snap-hook or the hanged tool.**

## CHANGING THE LOAD / CHANGING THE TOOL

Before proceeding with the tool change, it is necessary to rewind completely the balancer rope without using the stroke adjustment device as a locking device.

Should the balancer be provided with locking devices, it is also possible to proceed as follows:

- Sustain the load in a different way (not through the balancer rope).
- Unhook the load from the balancer
- Hook the new load; bring it to a vertical position below the balancer with the rope stretched.
- Adjust the balancer, if needed, to balance the new load (when the new load has a different weight).

**⚠ Do not move away from the balancer if a load is not hooked.**

## INSPECTION

The balancer must be visually inspected on a regular basis (e.g. once at each work shift). Specifically, check the state of the suspensions (A) and (S) (Fig.1a/b), the fixing screws and self-locking systems (if used), and the condition of the hooks and cable.

**⚠ To check the cables, regarding rejection criteria (cable replacement), refer to ISO 4309:2011. (See Fig.6 for some examples).**

- check that the rope's movement is smooth and that it does not make any strange noises;
- do not lubricate the balancer with flammable or volatile fluids;
- do not remove any labels. Replace any damaged labels;
- the balancer must be inspected at least once a year by skilled, authorized personnel.

In case of unusual behaviour of the balancer, contact your dealer.

## SAFETY DEVICES

### Drum spring breakage

The balancer is fitted with a safety device that trips if the drum spring should break; it blocks operation, preventing the load hung from falling.

If the hanging tool cannot be lifted or lowered through ordinary strain,

**DO NOT INTERVENE BUT CONTACT THE AFTER-SALES ASSISTANCE SERVICE.**

NOTE: the balancer stops even if the drum spring is fully discharged. To restore operating conditions, try to load the spring as outlined in the "Balancer adjustment" paragraph. If the balancer does not release

**DO NOT INTERVENE BUT CONTACT THE AFTER-SALES ASSISTANCE SERVICE.**

## MAINTENANCE

Maintenance may be carried out only by skilled and authorized personnel.

Use original TECNA S.p.A. spare parts only. When requesting spare parts, the Customer should kindly contact the supplier of the balancer or the manufacturer directly, specifying the equipment's identification data printed on the plate.

Do not make any modification to the rope group and, specifically, **DO NOT SHORTEN** the rope: if needed, please get in touch with the supplier or the manufacturer directly.



**Never disassemble the balancer. Maintenance is to be carried out only by skilled, authorized personnel.**

## WARRANTY

The use of non-original TECNA S.p.A. spare parts will negatively affect safety and performance and, in any case, it will void the warranty.



**WARNING: The rope and the drum-spring are not covered by warranty.**

## DISPOSAL

At the end of the work life of the balancer, proceed as follows:

- Rewind the rope completely
- Unhook the load from the balancer
- Unhook the balancer from the primary and safety connections.
- Proceed to fully discharge the balancer spring.

Once the balancer has been discharged, it must be disposed of complying with the rules and regulations in force.



El equilibrador debe ser instalado antes del uso. Esta operación debe ser realizada por personas expertas, en observancia de las instrucciones contenidas en este manual:

**UNA INSTALACIÓN INCORRECTA PUEDE CAUSAR DAÑOS A PERSONAS Y/U OBJETOS.**



Este manual contiene importante información para utilizar el aparato en condiciones de seguridad. Cerciórese de haber comprendido bien todas las instrucciones antes de utilizar el equilibrador.

**LA INOBSERVANCIA DE ESTAS ADVERTENCIAS PUEDE CAUSAR LESIONES.**

El equilibrador ha sido realizado en conformidad con las Directivas Comunitarias pertinentes y aplicables en el momento de su lanzamiento en el mercado, que prevén la marca CE del producto.

## Uso PREVISTO

El uso previsto de un equilibrador es anular el peso constante de una herramienta durante un movimiento vertical.

El equilibrador se diseñó para ser utilizado sólo manualmente por un operador a la vez.

El equilibrador es para uso en ambiente cerrado, con temperaturas entre 5 ° C y 60 ° C.

Para un mejor uso del equilibrador se recomienda de suspender la carga cerca de su centro de gravedad.



**Es necesario utilizar, controlar y conservar el equilibrador en perfectas condiciones, en conformidad con todas las normas relativas a los equilibradores, utensilios y puestos de trabajo.**



Capacidad del equilibrador de valor mínimo a valor máximo expreso en kg;



Longitud del cable del equilibrador expreso en mm;



Cuerpo del equilibrador en kg.

TECNA S.p.A. no es responsable ante aquellos clientes que utilizan estos equilibradores para otras aplicaciones.

## Uso IMPROPIO

No permita que el equilibrador sea utilizado por menores.

No trabaje, transite ni permanezca debajo del equilibrador.

No apto para uso en industria alimentaria y farmacéutica.

No apto para uso al aire libre o en presencia de productos químicos corrosivos.

Excluyendo los modelos ATEX, los equilibradores no son aptos para uso en ambientes con atmósfera potencialmente explosiva.

No utilizar con tipos de cargas no indicadas en la placa.

## ENSAYOS ESTÁTICOS Y DINÁMICOS

Los ensayos estáticos y dinámicos (Directiva Máquinas 2006/42/EC, anex. I, punto 4.1.3) se realizan tomando muestras aleatorias de cada lote de producción.

Los ensayos estáticos se realizan colgando del equilibrador una carga de 1.25 veces superior a su capacidad máxima, acompañandola hasta el final de la carrera (cable completamente afuera) durante 10 minutos (como se informa en la norma DIN 15112: 1979).

El ensayo dinámico se realiza verificando el correcto funcionamiento del equilibrador (desenrollado y enrollado el cable) durante 1 hora de tiempo con una carga colgada del equilibrador de 1.1 veces superior a su capacidad máxima.

## ELECCIÓN DEL EQUILIBRADOR

Evalúe la carga total a equilibrar: utensilio, accesorios y partes de los tubos o cables sujetos por el equilibrador. La carga total a equilibrar debe estar comprendida entre la capacidad mínima y máxima del equilibrador.

## PUESTA EN FUNCIONAMIENTO DEL EQUILIBRADOR

Evalúe la extensión del área de trabajo y, si se precisa, cuelgue el equilibrador de un carro para permitir el correcto uso en una zona de amplitud adecuada a la actividad a realizar.

Utilice el orificio (A) para la suspensión principal y el orificio (S) para la suspensión de seguridad (Fig. 1a/b).

ATENCIÓN: Para una capacidad de carga de hasta 4 kg, remítase a la figura 1a; para capacidades superiores, remítase a la figura 1b.

Si para la instalación se utilizan dispositivos de fijación de rosca, es necesario usar tuercas autoblocantes, chavetas u otros sistemas de seguridad.

Para evitar desgastes anómalos, la carga se debe aplicar verticalmente. El equilibrador tendrá que poder moverse libremente en su suspensión para que pueda alinearse con la dirección de la carga.

El equilibrador tiene que ser instalado en una estructura con resistencia mecánica adecuada. Resistencia mecánica estructura > 5 \* (Peso del Equilibrador + Capacidad MÁX).

Puede instalar varios equilibradores en la misma estructura principal, excepto cuando cada uno tenga un enganche separado y cuando la estructura tenga una resistencia mecánica superior a cinco veces el peso de todos los equilibradores y de sus capacidades de carga máximas.

Es posible instalar varios equilibradores en la misma estructura secundaria (cable de seguridad), a excepción que cada uno tenga

un enganche separado y que la estructura tenga

una resistencia mecánica superior a cinco veces el peso de todos los equilibradores y de sus capacidades de carga máximas.


Durante la puesta en funcionamiento se sugiere usar el siguiente procedimiento:

- Instalar el equilibrador en la estructura principal usando el gancho de suspensión, si presente, o el agujero de fijación.
- Conectar el dispositivo de seguridad en la estructura secundaria.
- Levantar la carga que se desea enganchar del equilibrador.
- Enganchar la carga del equilibrador usando el mosquetón/gancho especial.
- Bajar la carga desenrollando el cable del equilibrador y ajustar la abrazadera que limita la carrera para evitar que la carga exceda la altura del operador.
- Ajustar la fuerza del equilibrador hasta equilibrar la carga enganchada. Girar en la dirección indicada por el signo + para aumentar la fuerza del equilibrador. Girar en la dirección indicada por el signo - para disminuir la fuerza del equilibrador.

Al instalar el equilibrador en altitud usar las extensiones especiales para ajustar la carga a una altura de trabajo adecuada (la carga no debe exceder la altura del operador).

Asegurar una iluminación correcta de las áreas de trabajo para permitir una buena vista de las operaciones y todos los elementos del equipo, evitando sombras, reflejos y efectos estroboscópicos.

Atención !!! Para los equilibradores no equipados con gancho de suspensión, es conveniente prever un enganche que no bloquee los movimientos (oscilación y rotación) necesarios para el correcto funcionamiento del equilibrador.

 **Fije siempre la suspensión de seguridad (S) a un soporte adecuadamente dimensionado, utilizando exclusivamente los accesorios suministrados (Fig.1a/b). El soporte de seguridad NO DEBE SER el mismo utilizado para la suspensión principal (A) (Fig.1a/b).**

**La caída máxima en caso de rotura de la suspensión principal no debe superar los 100 mm.**

**Apriete las tuercas de las abrazaderas 21215 (Fig.1) con un par de 2 Nm.**

## REGULACIÓN DEL EQUILIBRADOR

Para equilibrar cargas mayores, utilizando la llave (D), gire el pomo (6) en sentido levógiro, identificado con el símbolo "+", tal como se muestra en la figura (Fig.2). Para cargas más ligeras, presione la extremidad del muelle (9) (Fig.3) y gírela en sentido dextrógiro, identificado con el símbolo "-", tal como se muestra en la figura (Fig.3).

ATENCIÓN: PARA REDUCIR LA CARGA, NO REGULE CON LA LLAVE EL POMO (6)!. (El forzamiento del pomo en el sentido correspondiente a la reducción de la carga puede causar la rotura del sistema de retención.)

Después de regular la carga, verifique que el cable pueda deslizarse libremente en toda su longitud: el movimiento no debe estar limitado por el completo enrollamiento del muelle. Verifique varias veces el recorrido a diferentes velocidades.

### **SÓLO PARA MODELOS 9346-9350**

Los equilibradores 9346-9350 están dotados de un mecanismo que bloquea el enrollamiento del cable; esto permite trabajar sin la tracción del cable, por ejemplo, dentro de un automóvil (Fig.5).

El bloqueo se obtiene con una elevación lenta de la herramienta.

Para desbloquear la rotación del tambor, tire un poco de la herramienta hacia abajo y levántela a velocidad elevada.

Para impedir bloqueos indeseados la elevación se debe realizar a una velocidad adecuada.

El mecanismo de bloqueo puede ser neutralizado enroscando a fondo el tornillo (25), mientras se hace subir y bajar la carga (Fig. 5).

NOTA: Una reducción de la capacidad del equilibrador de soportar la carga suspendida puede significar que el muelle del tambor se está rompiendo. **NO MODIFIQUE LA REGULACIÓN DEL EQUILIBRADOR PARA SOPORTAR IGUALMENTE LA CARGA. DIRÍJASE INMEDIATAMENTE A PERSONAL CAPACITADO Y AUTORIZADO AL MANTENIMIENTO.**

No utilice con una carga superior a la carga máxima permitida y equilibrada usando el regulador.


## USO DEL EQUILIBRADOR

Empuñe el utensilio colgado del equilibrador y realice las operaciones requeridas; luego, acompañe el utensilio hasta una posición de equilibrio, en la vertical del equilibrador, y suéltelo.

La carga a equilibrar se debe colgar del mosquetón (24) (Fig.4). Verifique que, después de la aplicación de la carga, el mosquetón quede bien cerrado.

El desenrollamiento del cable jamás debe ser completo: el movimiento de trabajo debe terminar al menos 100 mm antes del límite inferior del recorrido.

Si es necesario, desplace y fije la abrazadera (20) (Fig.4) para limitar el recorrido hacia arriba.

 **No desenganche la carga si la abrazadera (20) (Fig.4) no está apoyada a la grapa del cable (POSICIÓN VISIBLE EN FIG.4)**

- no suelte la carga en posición no vertical;
- no lance la carga suspendida a otro operador;

- no desplace la carga tirando el cable del equilibrador;
- no cuelgue las cargas que no están comprendidas entre los límites superior e inferior de la capacidad admitida;
- no cuelgue más de un utensilio del equilibrador.



**El riesgo mayor vinculado al uso del equilibrador consiste en el posible enrollamiento incontrolado del cable;**

- 1 si por cualquier razón el cable no es enrollado por el equilibrador, NO intervenga y contacte inmediatamente con el servicio de asistencia.
- 2 no desenganche la carga si el cable no está completamente enrollado en el tambor.
- 3 si el cable está desenrollado y no hay ninguna carga aplicada, NO intervenga y contacte inmediatamente con el servicio de asistencia.
- 4 durante el uso, el cable debe permanecer siempre en posición vertical y no debe estar en contacto con poleas o posibles estructuras externas colocadas en la proximidad del punto de instalación y uso del equilibrador.
- 5 está permitido el utilizzo del equilibrador solamente con el cable en posición vertical.
- 6 el ajuste de la carrera del equilibrador debe asegurar la posición de la herramienta a una altura igual o menor a la del operador, independientemente del punto de fijación de la máquina.
- 7 no fuerza (más de 360°) el cable durante el uso, si la carga debe girar respecto al equilibrador preveer el uso del accesorio apropiado.
- 8 si el equilibrador tiene el sistema de bloqueo utilizarlo en caso de no utilización de la herramienta aplicada (fin de turno de trabajo).



**Después de la intervención de los dispositivos que impiden la caída de la carga o el enrollamiento incontrolado del cable se requerirá la revisión del equilibrador. En este sentido, por favor contacte con su proveedor.**

**Si utiliza el equilibrador con una herramienta eléctrica consulte el manual de esta para la gestión de cualquier riesgo residual.**

**No utilice el equilibrador sujetándolo por el cable; sujételo usando el mosquetón o la herramienta colgada.**

## REEMPLAZO DE LA CARGA / CAMBIO DE HERRAMIENTAS

Antes de proceder al cambio de la herramienta colgada es necesario enrollar completamente el cable del equilibrador sin utilizar el dispositivo de ajuste de carrera como sistema de bloqueo.

Al contrario, si presenta sistemas de bloqueo se puede proceder de la siguiente manera:

- Sujetar la carga de manera alternativa (no usar el cable del equilibrador).
- Desenganchar la carga del equilibrador.
- Enganchar la nueva carga, colocarla verticalmente bajo el equilibrador con el cable en tensión.
- Ajustar el equilibrador, si es necesario, para equilibrar la nueva carga (nueva carga con peso diferente de la anterior).



**No se aleje por ningún motivo del equilibrador si no presenta una carga colgada.**

## INSPECCIÓN

El equilibrador debe ser sometido periódicamente a inspección visual (por ejemplo, una vez por turno de trabajo), en particular, para verificar el estado de las suspensiones (A) y (S) (Fig.1a/b), de los tornillos de fijación y de los sistemas autobloqueantes (si están presentes), así como las condiciones de los ganchos y del cable.



**Para el control de los cables, conforme a los criterios de deshecho (sustitución del cable) tomar como referencia la norma ISO 4309:2011 (algunos ejemplos véase la Fig.6).**

- Verifique que el movimiento del cable sea suave y sin ruidos anómalos;
- No lubrique el equilibrador con líquidos inflamables o volátiles;
- No quite ninguna etiqueta. Haga sustituir las placas eventualmente deterioradas;
- Al menos una vez por año el equilibrador debe ser inspeccionado por personal especializado y autorizado.

En caso de un comportamiento anormal del equilibrador contacte con su proveedor.

## DISPOSITIVOS DE SEGURIDAD

### Rotura del muelle del tambor

El equilibrador está dotado de un dispositivo de seguridad que actúa en caso de rotura del muelle del tambor y bloquea su funcionamiento, impidiendo la caída de la carga suspendida.

Si es imposible hacer bajar o subir la herramienta suspendida con un esfuerzo normal,

**NO REALICE NINGUNA OPERACIÓN Y CONTACTE CON EL SERVICIO DE ASISTENCIA.**



NOTA: El equilibrador se bloquea también si el muelle del tambor está completamente descargado; para restablecer el funcionamiento, intente cargar el muelle tal como se describe en el párrafo "Regulación del equilibrador"; si el equilibrador no se desbloquea, **NO REALICE NINGUNA OPERACIÓN Y CONTACTE CON EL SERVICIO DE ASISTENCIA.**

## MANTENIMIENTO

El mantenimiento puede ser efectuado solo por personal capacitado y autorizado.

Utilice solo repuestos de TECNA S.p.A. Se ruega al Cliente cuando solicita repuestos dirigirse al proveedor del aparato o directamente al fabricante, indicando los detalles identificativos de la máquina marcados en su placa.

No realice ninguna modificación en el cable; en particular, **NO ACORTE** el cable; si es necesario, contacte con su proveedor del aparato o directamente con el fabricante.



**Jamás desmonte el equilibrador. El mantenimiento debe ser realizado exclusivamente por personal capacitado y autorizado.**

## GARANTÍA

El uso de repuestos no originales TECNA influye negativamente en la seguridad y las prestaciones, además de provocar la caducidad de la garantía.



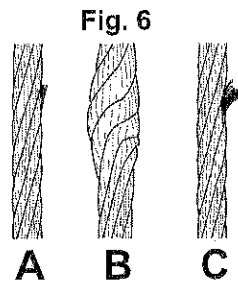
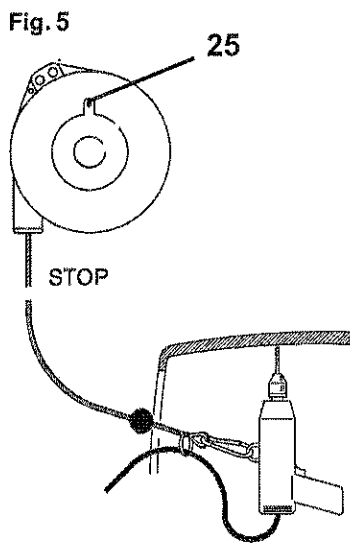
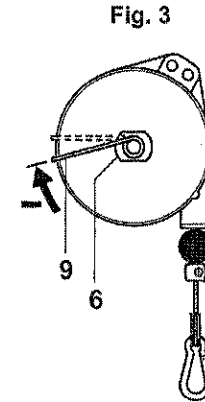
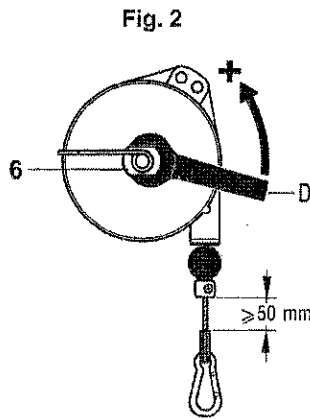
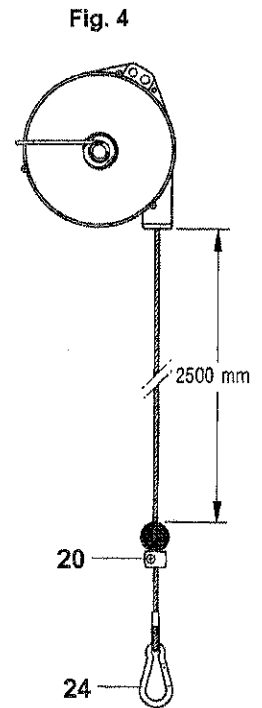
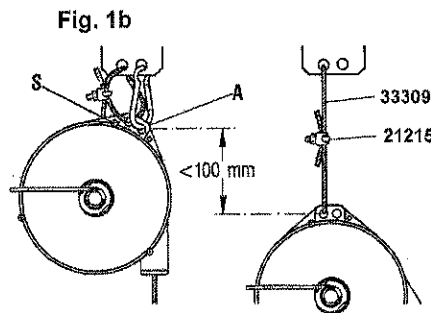
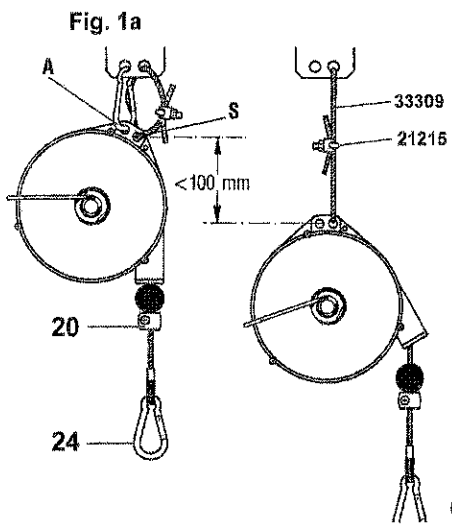
**ATENCIÓN: el cable y el muelle del tambor no están sujetos a garantía.**

## FIN DE VIDA

Al final de la vida operativa del equilibrador haga lo siguiente:

- Enrollar completamente el cable
- Descolgar la carga del equilibrador
- Descolgar el equilibrador de la suspensión primaria y de seguridad.
- Descargar completamente el muelle del equilibrador.

Descargado el equilibrador es posible deshechar el mismo en observancia de la normativa vigente.



ISO4309:2011

DICHIARAZIONE DI CONFORMITÀ CE • EC DECLARATION OF CONFORMITY  
CERTIFICAT DE CONFORMITE CE • CERTIFICADO DE CONFORMIDAD CE  
EG - KONFORMITÄTSEKRLARUNG • CONFORMITETS VERKLARING

Nome e indirizzo del costruttore  
Name and address of manufacturer  
Nom et adresse du constructeur  
Nombre y dirección del constructor  
Name und Adresse des Herstellers  
Naam en adres van de fabrikant

TECNA S.P.A.  
VIA MEUCCI, 27  
40024 CASTEL S. PIETRO TERME (BO)  
ITALY

Dichiaro sotto la nostra unica responsabilità che il prodotto  
We declare under our sole responsibility for manufacture of the product  
Nous déclarons sous notre seule responsabilité que le produit  
Certificamos bajo nuestra sola responsabilidad que el producto  
Wir erklären unter einziger Verantwortung, dass das Produkt  
Wij verklaren onder onze uitsluitende aansprakelijkheid, dat het produkt

BILANCIATORE  
BALANCER  
EQUILIBREUR  
EQUILIBRADOR  
FEDERZÜG  
BALANCER

Modello - Model - Type - Modelos - Typen - Modellen

9336 - 9337 - 9338 - 9339 - 9340  
9346 - 9347 - 9348 - 9349 - 9350

Numero di serie - Serial number - Numéro de série  
Número de fabricación - Serie-Nummer - Seriennummer

da/from/de/de/von/van  
a/to/a/a/bis/tot

0038999  
9999999

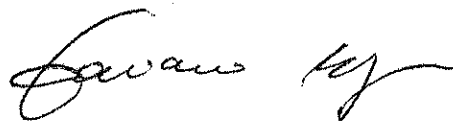
è conforme a tutte le disposizioni pertinenti della seguente direttiva:  
fulfils all the relevant provisions of this Directive:  
est conforme à toutes les dispositions pertinentes de la directive suivante: 2006/42/EC  
es conforme a todas las disposiciones correspondientes a la siguiente directiva:  
allen einschlägigen Bestimmungen der nachfolgend aufgeführten EG-Richtlinien entspricht:  
voldoet aan alle bepalingen van de richtlijn:

Il prodotto è conforme alla norma:  
The product is in conformity with the regulation:  
Le produit est conforme à la norme: DIN 15112:1979  
El producto es conforme a la norma:  
Das Produkt ist der folgenden Norm konform:  
Het product is in overeenstemming met de richtlijnen:

Nome e indirizzo della persona autorizzata a costituire il fascicolo tecnico:  
Name and address of the person authorized to draw up the technical file:  
Nom et adresse de la personne autorisée à constituer le dossier technique:  
Nombre y dirección de la persona autorizada a constituir el expediente técnico:  
Name und Adresse der zur Erstellung des Technikheftes autorisierten Person:  
Naam en adres van de geautoriseerde persoon voor het samenstellen van het technische dossier:

TECNA S.p.A.  
VIA MEUCCI, 27  
40024 CASTEL S. PIETRO TERME (BO)  
ITALY

Nome e firma della persona autorizzata alla redazione della dichiarazione di conformità:  
Name and signature of the person authorized to write the declaration of conformity:  
Nom et signature de la personne autorisée à rédiger la déclaration de conformité:  
Nombre y firma de la persona autorizada a redactar la declaración de conformidad:  
Name und Unterschrift der zur Abfassung der Konformitätserklärung autorisierten Person:  
Naam en handtekening van de geautoriseerde persoon voor het opstellen van de conformiteitsverklaring:



Damiano Bergami  
Presidente del C.d.A.  
Chairman of the BOD • Président du Conseil d'Administration  
Vorsitzender des Verwaltungsrates • Presidente del C.d.A.

Castel San Pietro Terme 13/09/2016